

SG P12-040-005-15-R2-0100

PLANETARY GEARBOXES

SG 040

$i=005$

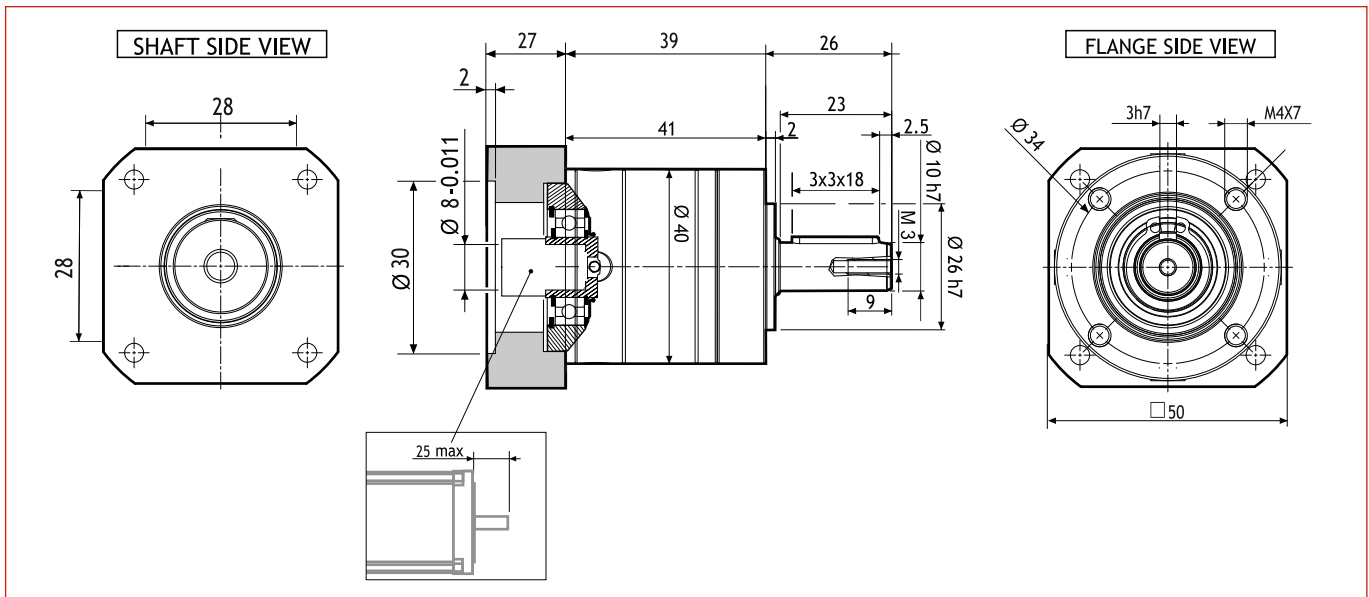
$\varphi < 15'$

MADE IN ITALY

IP64

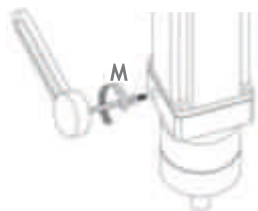


Dimensions (Units:mm)



MODEL	Rated output torque [Nm]	Maximum acceleration output torque [Nm]	Emergency step output torque [Nm]	Backlash [arcmin]	Nominal input speed [min ⁻¹]	Maximum momentary input speed [min ⁻¹]	Torsional stiffness [Nm/arcmin]	Maximum radial force applying on output shaft [N]	Maximum axial force applying on output shaft [N]	Gear efficiency [%]	Gear moment of inertia [Kgm ²]
SG-P12-040-005-15-R2-0100	12	18	30	15'	5000	8000	0.8	220	200	98	1.6x10 ⁻⁶

Suggested motors



R2AA04010FXH1CM



MOUNTING OPERATION MODE:

■ Tightening torque M=5 Nm

■ Locking bolt M4

■ R.T.A. Quality Control