

# Electrak PPA-AC

115 and 230 Vac - load up to 1500 lbf



## Standard Features and Benefits

- Strong and versatile heavy duty actuator
- High duty cycle
- Highly efficient ball screw drive system
- Overload clutch for mid and end of stroke protection
- Stroke lengths up to 36 inch
- Motor with thermal switch
- Maintenance free
- Large range of options

## General Specifications

Parameter	Electrak PPA-AC
Screw type	ball
Internally restrained	no
Manual override	no, optional
Dynamic braking	no
Holding brake	yes
End of stroke protection	overload clutch
Mid stroke protection	overload clutch
Motor protection	auto reset thermal switch
Motor connection	flying leads
Motor connector	no
Certificates	RoHS compliant
Options	<ul style="list-style-type: none"> <li>• end of stroke limit switches</li> <li>• potentiometer</li> <li>• encoder</li> <li>• protective bellows</li> <li>• anti-coast brake *</li> <li>• electrical brake **</li> <li>• manual override***</li> </ul>

\* External capacitor, which is supplied with the actuator, is required to run actuators with anti-coast brake option. See page 47 for capacitor dimensions.

\*\* Only possible on 115 Vac models \*\*\* Contact customer support

» Ordering Key - see page 58

» Glossary - see page 61

» Electric Wiring Diagram - see page 42

## Performance Specifications

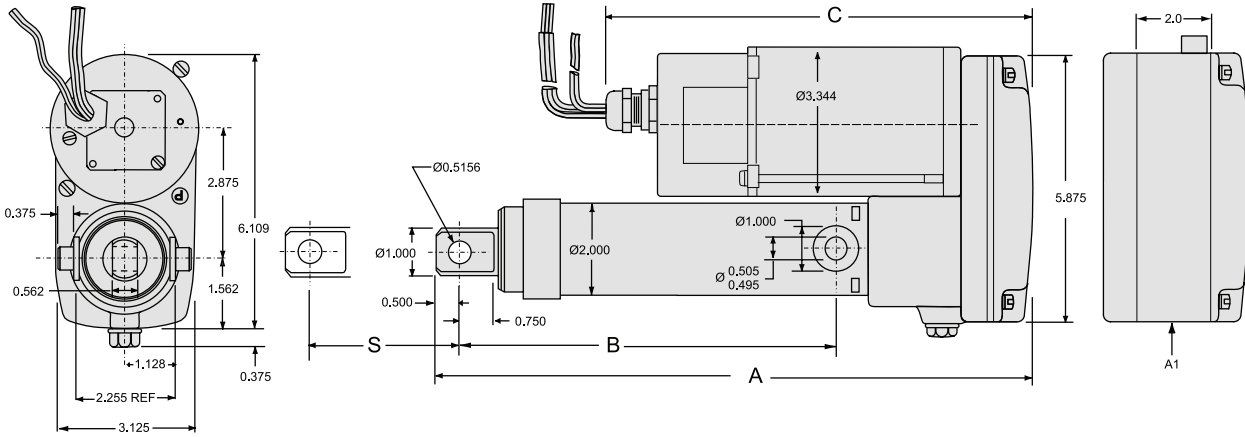
Parameter	PPA-AC
Maximum load, dynamic / static PPA •• -18B65 PPA •• -58B65	[lbf] 500 / 3000 1500 / 3000
Speed, at no load / at maximum load PPA11-18B65 PPA22-18B65 PPA •• -58B65	[in/sec] 0.63 / 0.60 0.55 / 0.50 0.17 / 0.17
Available input voltages Single phase	[Vac] 115, 230
Input frequency 1 × 115 Vac model 1 × 230 Vac model	[Hz] 50/60 50/60
Standard stroke lengths	[in] 4, 8, 12, 18, 24, 36
Operating temperature limits	[°F] -15 – +150
Full load duty cycle @ 77 °F	[%] 30
End play, maximum	[in] 0.040
Restraining torque PPA •• -18B65 PPA •• -58B65	[lbf-in] 100 200
Lead cross section	[AWG] 18
Lead length	[in] 19.5
Protection class	IP22

## Compatible Controls

Control model	See page
DPDT switch	46

# Electrak PPA-AC

115 and 230 Vac - load up to 1500 lbf

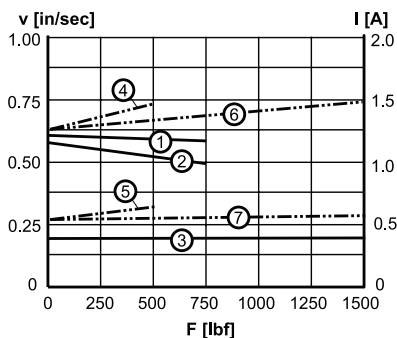


S: stroke  
 A: retracted length  
 B: retracted length to trunnions  
 C: motor length  
 A1: housing dimensions for limit switch, encoder or potentiometer options

<b>Stroke (S)</b>	[inch]	4	8	12	18	24	36
<b>Retracted length (A) without options</b>	[inch]	13.7	17.7	21.7	29.7	35.7	47.7
<b>Retracted length (A) with limit switch, encoder or potentiometer</b>	[inch]	15.7	19.7	23.7	31.7	37.7	49.7
<b>Retracted length (B)</b>	[inch]	8.8	12.8	16.8	24.8	30.8	42.8
<b>Motor length (C) without brake</b>	[inch]	9.5	9.5	9.5	9.5	9.5	9.5
<b>Motor length (C) with anti-coast brake</b>	[inch]	7.5	7.5	7.5	7.5	7.5	7.5
<b>Motor length (C) with electrical brake</b>	[inch]	11.0	11.0	11.0	11.0	11.0	11.0
<b>Weight</b>	[lb]	13.2	14.8	16.5	19.1	21.6	27.0
<b>Weight with electrical brake</b>	[lb]	14.6	16.2	17.9	20.5	23.0	28.4
<b>Add on weight for limit switch, encoder or potentiometer</b>	[lb]	1.7	1.7	1.7	1.7	1.7	1.7

## Performance Diagrams

Speed and Current vs. Load



V: speed I: current F: load

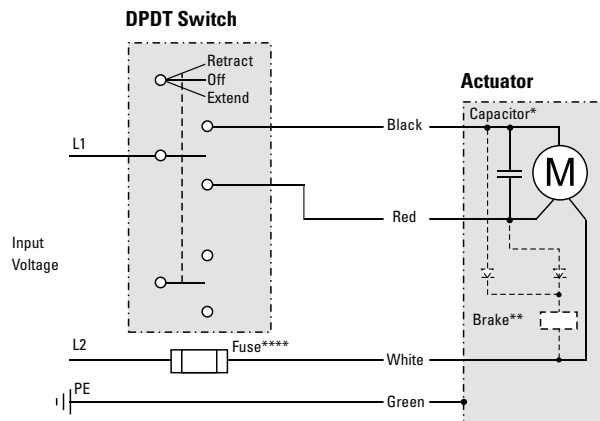
- 1: speed 500 lbf, 115 Vac
- 2: speed 500 lbf, 230 Vac
- 3: speed 1500 lbf
- 4: current 500 lbf, 115 Vac
- 5: current 500 lbf, 230 Vac
- 6: current 1500 lbf, 115 Vac
- 7: current 1500 lbf, 230 Vac

# Electrical Wiring Diagrams

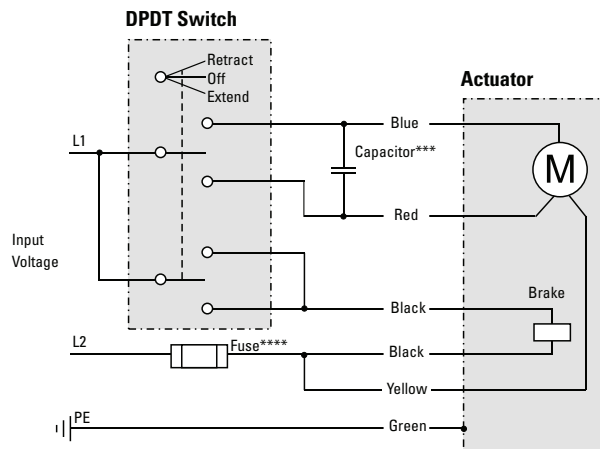
## AC-actuators

### Electrak PPA-AC

Without brake or with electrical brake (dotted wiring)



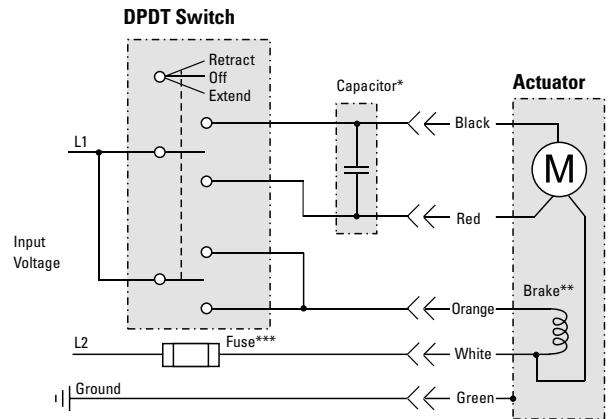
With anti coast brake



- \* The actuator comes with prewired capacitor from factory.
- \*\* Electrical brake only possible on 115 Vac models.
- \*\*\* The capacitor is supplied with the actuator but needs to be fitted by the customer externally.
- \*\*\*\* Supplied by customer.

For versions without brake or with electrical brake, connect the red lead to L1 and yellow to L2 to extend the actuator. Change L1 from red to black lead to retract the actuator. If the actuator is equipped with an electrical brake the internal wiring automatically lifts the brake when the motor is energized. For versions with anti coast brake, connect the red lead to L1 and yellow to L2 to extend the actuator. Change L1 from red to blue lead to retract the actuator. Release the anti-coast brake by connecting black leads to L1 and L2.

### Electrak 5



- \* Capacitor required to run the actuator. 115 Vac = 35  $\mu$ F, p/n 9200-448-002, 230 Vac = 10  $\mu$ F, p/n 9200-448-003.

- \*\* Anti coast brake.
- \*\*\* Supplied by customer.

Connect the red lead to L1 and white to L2 to extend the actuator. Change L1 from red to black lead to retract the actuator. Release the anti coast brake by connecting orange lead to L1.

# Ordering Keys

## Electrak AC-actuators

Electrak PPA-AC					
1	2	3	4	5	6
PPA22 -	18B65 -	18	SB	XX	C
<b>1. Model and input voltage</b> PPA11 - = Electrak PPA-AC, 1 × 115 Vac PPA22 - = Electrak PPA-AC, 1 × 230 Vac  <b>2. Dynamic load capacity</b> 18B65 - = 500 lbf 58B65 - = 1500 lbf		<b>3. Stroke</b> 04 = 4 inch 08 = 8 inch 12 = 12 inch 18 = 18 inch 24 = 24 inch 36 = 36 inch  <b>4. Brake option<sup>1</sup></b> N - no brake option SB = anti coast brake EB = electrical brake <sup>2</sup>		<b>5. Feedback option</b> XX = no feedback option LS = end of stroke limit switches PO = potentiometer <sup>3</sup> HS = encoder HL = encoder + end of stroke limit switches  <b>6. Bellows option</b> X = no bellows C = bellows <sup>4</sup>	
<sup>1</sup> See "Brake" in the Glossary section on page 57 for more information. <sup>2</sup> Only possible for 1 × 115 Vac models. <sup>3</sup> Not available with limit switches. <sup>4</sup> Only possible on 12 inch stroke or longer.					

Electrak 5			
1	2	3	4
A12 -	05B5 -	04	D
<b>1. Model and input voltage</b> A12 - = Electrak 5, 1 × 115 Vac A22 - = Electrak 5, 1 × 230 Vac	<b>2. Dynamic load capacity</b> 05B5 - = 500 lbf 10B5 - = 1000 lbf	<b>3. Stroke</b> 04 = 4 inch 08 = 8 inch 12 = 12 inch 18 = 18 inch 24 = 24 inch	<b>4. Shipment version<sup>1</sup></b> D = distributor version  <sup>1</sup> Leave position blank for OEM version.

Electrak 205			
1	2	3	4
ALP22 -	10B5 -	04	
<b>1. Model and input voltage</b> ALP12 - = Electrak 205, 1 × 115 Vac ALP22 - = Electrak 205, 1 × 230 Vac	<b>2. Dynamic load capacity</b> 05B5 - = 500 lbf 10B5 - = 1000 lbf	<b>3. Stroke</b> 04 = 4 inch 08 = 8 inch 12 = 12 inch 18 = 18 inch 24 = 24 inch	<b>4. Shipment version<sup>1</sup></b> D = distributor version  <sup>1</sup> Leave position blank for OEM version.